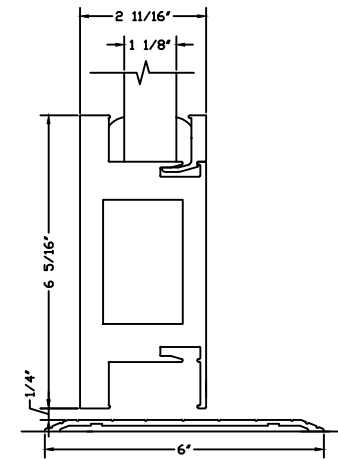
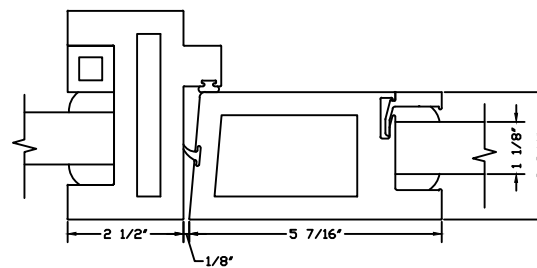


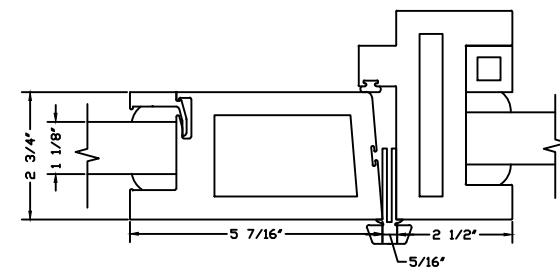
1/2 HEAD DETAIL



1/4 THRESHOLD DETAIL



1/3 JAMB DETAIL



1/5 HINGE DETAIL

PROPRIETARY MATERIAL
 UNITED STATES BULLET PROOFING
 1-800-363-8328

CUSTOMER:
 CONTRACT: N/A
 DATE: N/A
 SCALE: 1:2
 DRAWN BY: BT
 CHECKED BY: N/A
 FILENAME: USAD1000_001.DWG

REVISIONS:
 PROJECT/DRAWING

USB MODEL:	USAD1000	DO	DOOR OPENING
DOS MODEL:	N/A	FS	FRAME SIZE
DOS CODE:	N/A	RO	ROUGH OPENING
SHW GROUP:	N/A	CO	CONCRETE OPENING
FINISH:	N/A	VO	VISION OPENING
VISION TYPE:	N/A	SIM	SIMILAR
		TYP	TYPICAL
		OPP	OPPOSITE
		GCD	GAP COVER DIMENSION

U.S. Bullet Proofing
 HIGH SECURITY PRODUCTS

U.S. BULLETPROOFING INC.
 16201 BRANCH COURT
 UPPER MARLBORO, MD 20774
 PHONE: 1-800-363-8328
 PHONE: 301-218-7920
 FAX: 301-218-7925
<http://www.usbulletproofing.com>

1 OF